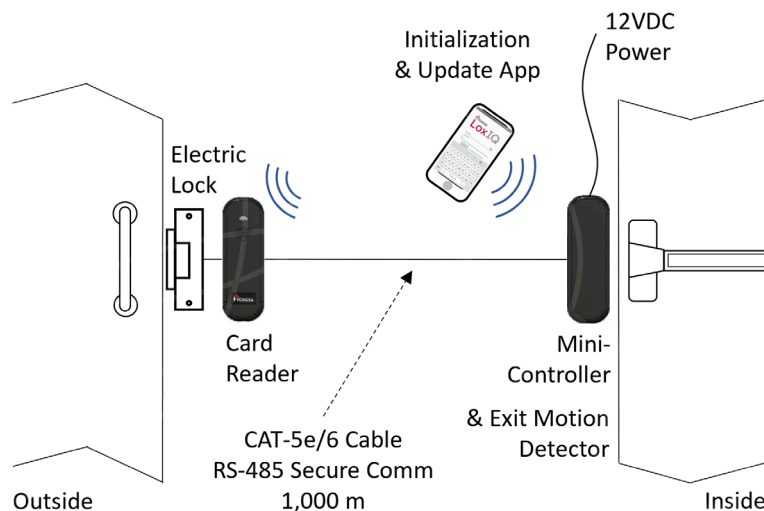


# Proxess Mini-IQ

## PX Series Mini-Controller

Bluetooth™, On-Demand  
Edge Controller



The **Proxess Mini-IQ** is the simplest and most cost-effective door controller to install and operate, and rounds out the Proxess product line, supporting applications at every door type;

Storefronts, panic exits, vehicle parking gates, pedestrian gates, mortise, cylindrical and more. Only low voltage power is needed, so the only wiring you'll need at the door is to connect the Proxess high security card/mobile phone readers and an electric strike (mag, lock, etc.). Proxess' industry-first, built-in, request-to-exit motion detector option ensures Proxess is providing the lowest cost product to secure a door and an unlimited number of credentials can be supported by each Proxess Mini-IQ edge controller.

Built to our "less training required" standard, a simple click of the *Sync* button from the mobile phone app (in both LoxIQ™ & ProxessIQ™) configures each Proxess Mini-IQ.

When more stringent security is required, an exit reader can also be connected.

An unlimited number of Proxess Mini-IQs can be added to your system, so you won't outgrow your investment.

Security is paramount and Proxess delivers with encrypted mobile phones and our *Network-on-Card* technology. This greatly reduces the cost of access point design, equipment prices and installation. All this technology keeps your cost low and your security high.

To that end, the Proxess Mini-IQ keeps the controller electronics securely on the inside, preventing network and lock relay tampering. Proxess also has an option for an integrated *Request-to-Exit* motion detector, further lowering the material and installation cost and complexity. For ordering simplicity, the Proxess Mini-IQ includes both mullion and single-gang adapter plates.

Further, in ProxessIQ™ systems, adding a Bluetooth™ bridge will bring all the mini-controllers within range online.

# FEATURES

<b>SIMPLICITY</b>	<i>One-Click</i> to add a card. <i>One-click</i> to add a door. <i>One-click</i> to initialize each. Doors can be added, moved and configured in the software in seconds, even from remote locations.
<b>NETWORK-ON-CARD</b>	Proxess credentials go beyond just passing a number to the reader. They know where they belong and perform a handshake with the readers for ultimate security.
<b>EXPANSION</b>	Unlimited mini-controllers can be added to a Proxess system. Unlimited users and credentials can gain entry and exit through a Mini-IQ.
<b>ENCRYPTION</b>	Upstream and downstream communications utilize AES 256-bit encryption.
<b>DATABASE-ON-PHONE</b>	The Proxess Mini-IQ works with <i>Lox/Q™</i> , our phone-based database, cloud backup, multiple-phone operational redundancy.
<b>COMPATIBILITY</b>	Proxess Mini-IQ controllers are compatible with our multi-technology (Mifare DESFire EV 1, 2, or 3 & BLE), secure RS-485 readers and Proxess bridges provide migration to ProxessIQ™ enterprise software as your needs grow.
<b>ONE DOOR, TWO READERS</b>	Standard configuration for a single door with both an entry & exit reader, providing exit control for forensic people counting; area loading analysis and contact tracing.
<b>EASY INSTALLATION</b>	With only local power required, an optional built-in PIR REX and no IT overhead, the Proxess Mini-IQ provides the simplest access control installation for emergency/panic exits.
<b>EVENT REPORTING</b>	Credential transactions and door events never linger as mobile credentials and bridges route them to the software.

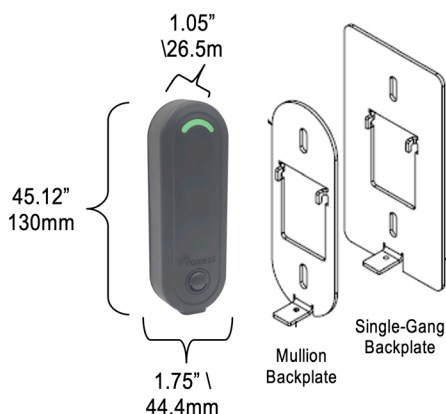
## ADDITIONAL FEATURES

✓	Simplest access control installation. Configuration with a click in the management app.	✓	Highest level security cards using Mifare DESFire EV 1, 2, or 3 and BLE Mobile Credentials
✓	Most cost-effective door control installation. All device connections located at the door.	✓	<i>Network-on-Card</i> credentials & mobile app collect transactions from Proxess Mini-IQ
✓	Built-in request-to-exit motion detector option reduces equipment and labor costs	✓	Future RS-485 communication with Proxess locksets and downstream sub-controllers
✓	For all door types: emergency egress, pedestrian gates, vehicle gates...	✓	Unlimited users per door and doors per system
✓	Connect both (separately purchased) Entry and Exit card readers for 2-way control	✓	With ProxessIQ only, bring mini-controllers online with Bluetooth bridges

# SYSTEM SPECIFICATIONS

## HOW TO ORDER:

**PX-ST** Mini-Controller with Pigtail & Enclosure  
**PX-REX** Mini-Controller with Pigtail, Enclosure & REX  
 Both Mullion & Single-Gang Backplates Included  
 Requires RX-MU2 Card Reader



## ELECTRICAL

Line Voltage Input	12VDC
Current Consumption	100mA Typical, 3A Max
Output Voltage	12VDC
Output Current	2A (Relay Limited and Power Supply Dependent)
Alternate Output Voltage	3VDC
Alternate Output Current	500mA
Power Output (AF-AT Type 1)	10.3W

## COMMUNICATIONS

Reader Communication	2-wire, RS-485, Bi-Directional, 230Kbps
Backhaul	Bluetooth Low Energy

## SYSTEM SPECIFICATIONS

Cardholders	Unlimited
Mini-Controllers per System	Unlimited
Time Zones - LoxIQ	Limited
Time Zones – ProxessIQ	Unlimited
Data Retention	30 Days, Flash Storage
Door Open Time	0-255 Seconds

## FEATURES

Reader Ports	2
Input for Request-to-Exit	Yes
Input for Door Contact	Yes
In/Out Reader Configuration	Yes

## HARDWARE

Housing	ABS Plastic
Backplates	Powdercoated Metal
Weight with Mullion plate	148g
Weight with Single-Gang Plate	200g
Weight as Shipped in Box	345g
<b>Mullion Mounting Backplate</b>	▼
Height	4.93" (125mm)
Width	1.77" (45mm)
Depth	1.05" (27mm)
<b>Single-Gang Backplate</b>	▼
Height	5.25" (134mm)
Width	2.75" (70mm)
Depth	1.05" (27mm)

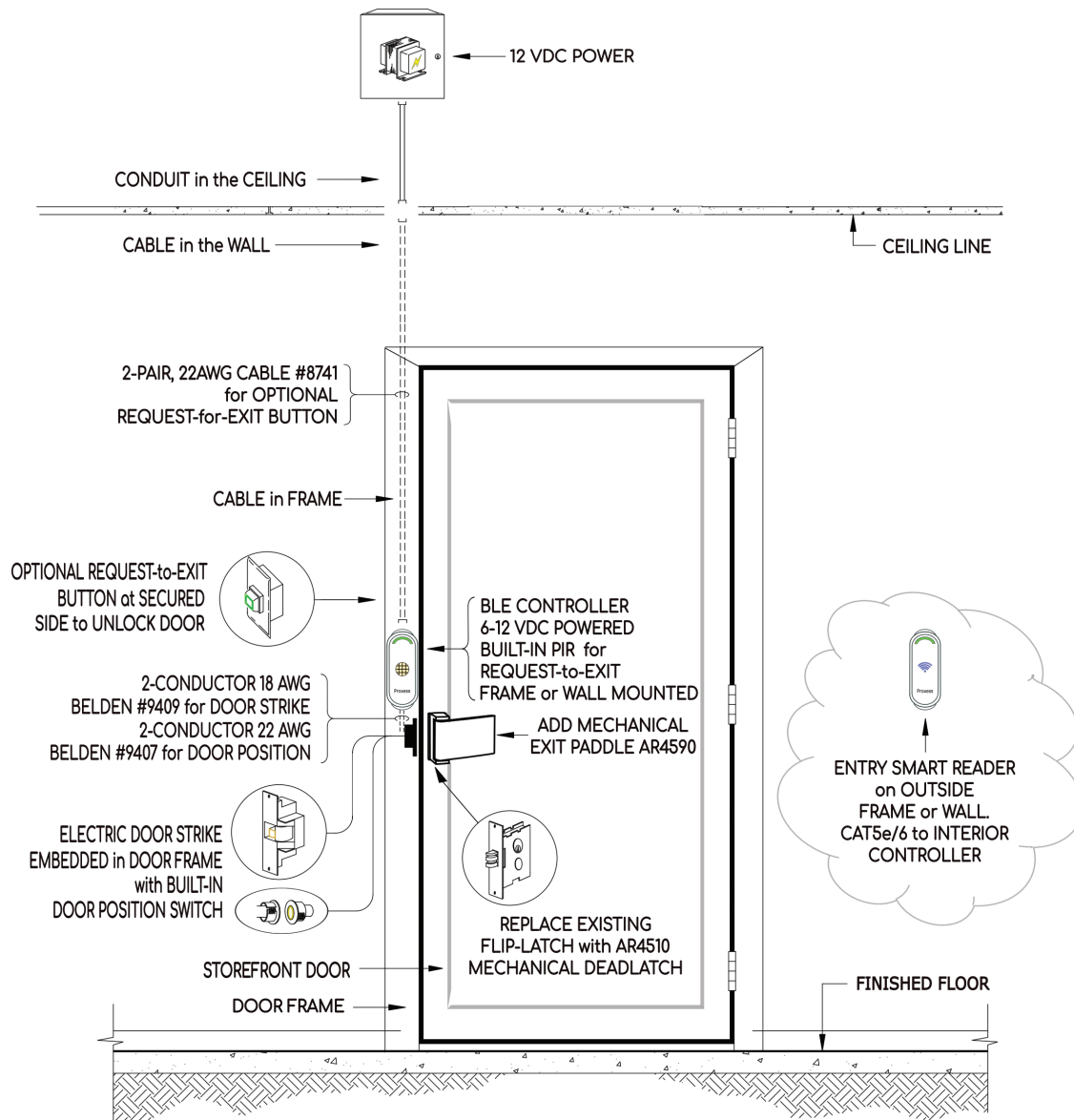
## WIRING

Power Cable Type	2C, 18AWG
Reader Cable Type	CAT-6
REX Cable Type	4C, 22AWG, OS
Door Contact Cable Type	2C, 22AWG, OS
Lock Release Cable Type	2C, 18AWG, OS
RS-485 Cable Output Type	4C, 22AWG, OS

## ENVIRONMENT

Operating Temperature PX-ST	-40C to 85C; -40F to 185F
Operating Temperature PX-REX	-20C to 60C; -4F to 140F

# SAMPLE DOOR DEVICE LAYOUT AND CONNECTIVITY



- Proxess has a library of door drawings. Contact Proxess for specific door drawings required for your design project.
- Contact Proxess if dealer requires help in sourcing auxiliary hardware products for Mini-Controller doors such as panic devices, electric strikes, magnetic locks or narrow-rail, storefront door locks & exit handles/paddles.